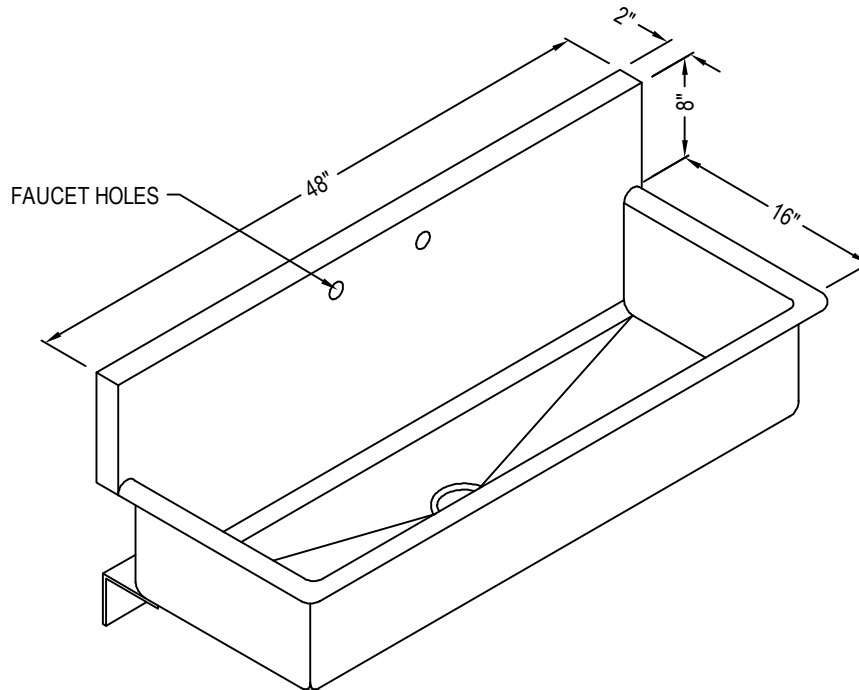




RIDALCO
4-1084 KENASTON ST.
OTTAWA, ON K1B 3P5
TOLL FREE: 1-800-445-1097
PHONE: (613) 745-9161
FAX: (800) 268-6526
www.ridalco.com

SELECT DESIRED MODEL:

- SUS-36
- SUS-48 (SHOWN)
- SUS-54
- SUS-60
- SUS-72
- SUS-84



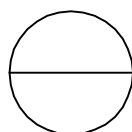
ISOMETRIC

SPECIFICATIONS:

- FABRICATED FROM TYPE 304, 16 GAUGE, STAINLESS STEEL.
- UNITS FURNISHED WITH STANDARD CRUMB CUP STRAINER.
- ALL-WELDED CONSTRUCTION INTERIOR BASIN RADIUSSED.
- UNIT SUPPLIED C/W CALL-MOUNTING BRACKETS.
- INTERIOR & EXTERIOR POLISHED TO #4 FINISH.
- AVAILABLE IN SEMI-RADIUSSED OR ALL-RADIUSSED CONSTRUCTION.

NOTES:

1. INSTALLATION TO BE COMPLETED IN ACCORDANCE WITH MANUFACTURER'S SPECIFICATIONS.
2. DO NOT SCALE DRAWING.
3. THIS DRAWING IS INTENDED FOR USE BY ARCHITECTS, ENGINEERS, CONTRACTORS, CONSULTANTS AND DESIGN PROFESSIONALS FOR PLANNING PURPOSES ONLY. THIS DRAWING MAY NOT BE USED FOR CONSTRUCTION.
4. ALL INFORMATION CONTAINED HEREIN WAS CURRENT AT THE TIME OF DEVELOPMENT BUT MUST BE REVIEWED AND APPROVED BY THE PRODUCT MANUFACTURER TO BE CONSIDERED ACCURATE.
5. CONTRACTOR'S NOTE: FOR PRODUCT AND COMPANY INFORMATION VISIT www.CADdetails.com/info AND ENTER REFERENCE NUMBER 4396-012.



HOSPITAL AND LABORATORY SINKS

HOSPITAL AND LAB SINKS - SCRUB UP SINK