

**ridalco**

**WORK TABLES  
AND  
COUNTERS**

# WORK TABLES

## General Specifications

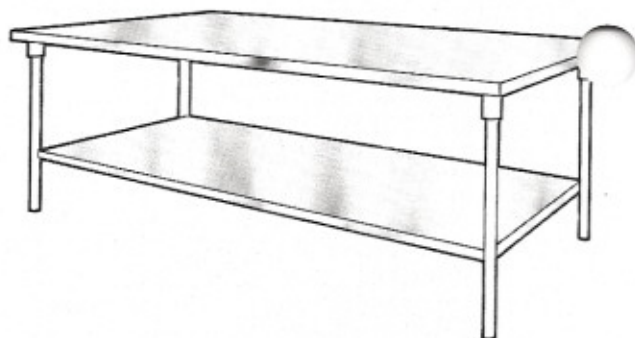
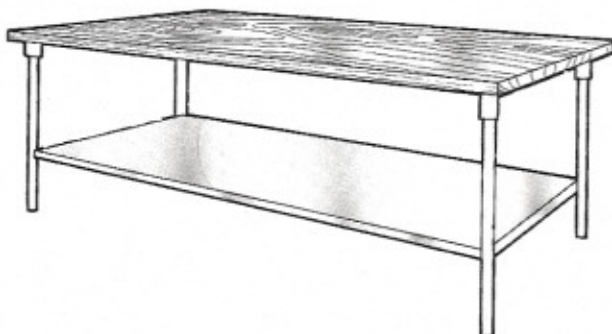
- Work tables shall be provided with laminated hardwood (WT series) or stainless steel (SWT series) work tops as indicated.
- Support legs and bracing shall be tubular steel; legs shall be equipped with adjustable levelling feet.
- Under-shelves shall be manufactured from heavy-duty, reinforced steel, welded to the support legs.

LENGTH	610mm 24" wide	760mm 30" wide
--------	-------------------	-------------------

HARDWOOD TOP STYLE	MODEL	
1200mm 48 in.	WT-4824G	WT-4830G
1524mm 60 in.	WT-6024G	WT-6030G
1828mm 72 in.	WT-7224G	WT-7230G
2130mm 84 in.	WT-8424G	WT-8430G
2440mm 96 in.	WT-9624G	WT-9630G
2750mm 108 in.	WT-10824G	WT-10830G
3050mm 120 in.	WT-11624G	WT-11630G

STAINLESS STEEL TOP STYLE	MODEL	
1200mm 48 in.	SWT-4824G	SWT-4830G
1524mm 60 in.	SWT-6024G	SWT-6030G
1828mm 72 in.	SWT-7224G	SWT-7230G
2130mm 84 in.	SWT-8424G	SWT-8430G
2440mm 96 in.	SWT-9624G	SWT-9630G
2750mm 108 in.	SWT-10824G	SWT-10830G
3050mm 120 in.	SWT-11624G	SWT-11630G

Standard working height for all work tables is 890mm (35 in.)

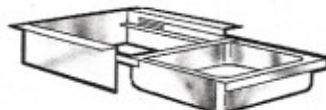
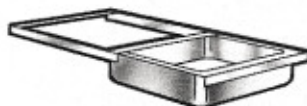


\*\* FOR STAINLESS STEEL FINISH, REPLACE SUFFIX "G" WITH "S"

# WORK TABLE ACCESSORIES

## Drawers

- Economy-style, plastic drawer pan (381mm x 508mm x 127mm/15 in. x 20 in. x 5 in.) on friction slides.
- Deluxe-style, enclosed drawer, stainless steel construction with removable plastic pan insert. Drawer assembly is mounted on track and drawer size shall be (508mm x 508mm x 127mm/20 in. x 20 in. x 5 in.)



## All-radiused Sink Bowls

- standard size . . . 355mm x 406mm x 178mm/14" x 16" x 7" deep
- sink c/w basket drain
- deck faucet available, refer to pricing.
- see pricing for welded-in sink bowl

## Pot Racks

- Constructed of 50mm x 6 mm/2" x 1/8" galvanized stainless steel bar.
- Model TPR: Tubular posts, enamel finish: 1371mm 54" high with flanges for fastening to table top.
- Models CPR and WPR: 50mm x 6 mm/2" x 1/8" galvanized ceiling or wall hangers.

# UTILITY COUNTERS

## General Specifications

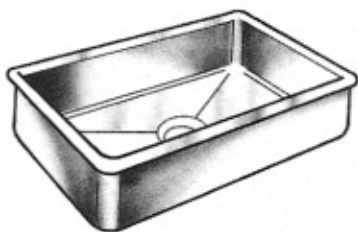
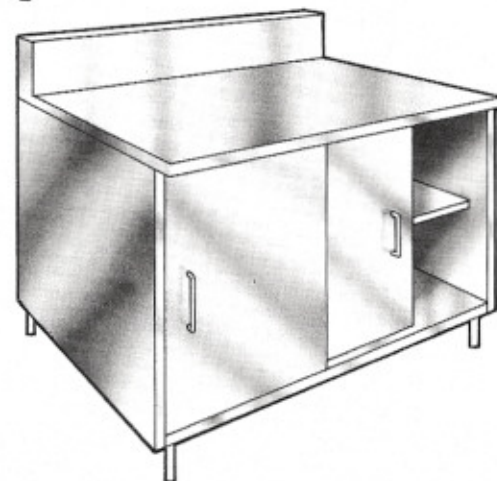
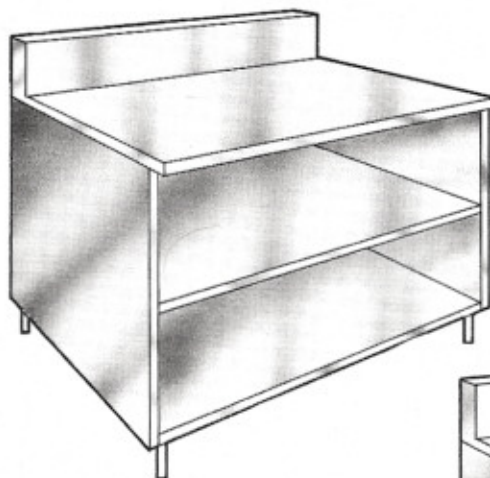
- 16 gauge stainless steel reinforced top, complete with integral backsplash
- Enamelled-steel cabinet, enclosed at sides and rear
- Securely fastened middle and bottom shelves
- Cabinet mounted on sanitary adjustable, levelling feet

MODEL E	MODEL ED	LENGTH	WIDTH
RUU-4824E	RUU-4824ED	1220mm 48 in.	610mm 24 in.
RUU-6024E	RUU-6024ED	1524mm 60 in.	610mm 24 in.
RUU-7224E	RUU-7224ED	1828mm 72 in.	610mm 24 in.
RUU-8424E	RUU-8424ED	2130mm 84 in.	610mm 24 in.
RUU-9624E	RUU-9624ED	2440mm 96 in.	610mm 24 in.
RUU-4830E	RUU-4830ED	1220mm 48 in.	760mm 30 in.
RUU-6030E	RUU-6030ED	1524mm 60 in.	760mm 30 in.
RUU-7230E	RUU-7230ED	1828mm 72 in.	760mm 30 in.
RUU-8430E	RUU-8430ED	2130mm 84 in.	760mm 30 in.
RUU-9630E	RUU-9630ED	2440mm 96 in.	760mm 30 in.

E OPEN-BASE STYLE  
ED ENCLOSED-BASE STYLE

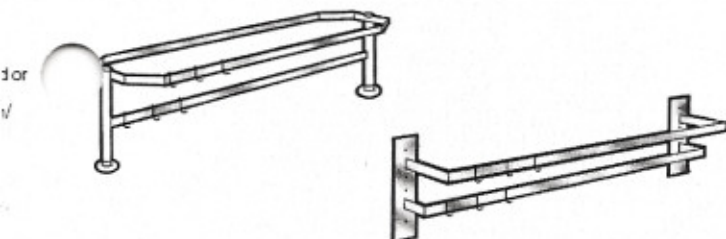
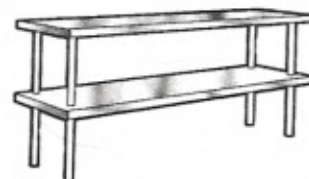
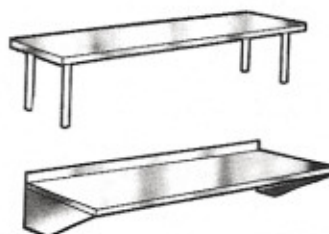
Standard working height for all utility counters is 890mm (35 in.)

\*\* FOR STAINLESS STEEL FINISH  
REPLACE SUFFIX "E" WITH "S"



### Shelf Units

- Shelving units shall be constructed from 1.6mm/16 gauge stainless steel
- Support brackets for wall shelving shall be triangular gusset-shaped
- Support posts for table-mounted shelving shall be 25.4mm/1" square stainless steel tube
- Standard shelf width shall be 305mm/12"



### Miscellaneous Options and Accessories

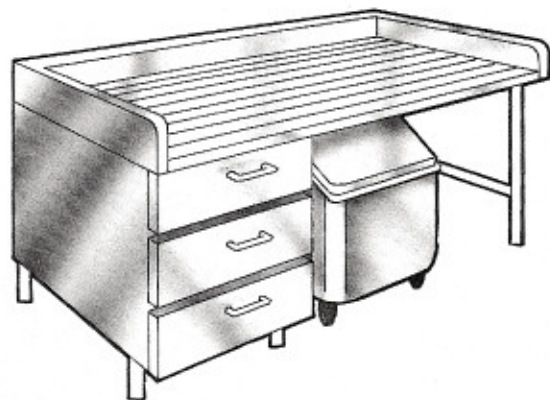
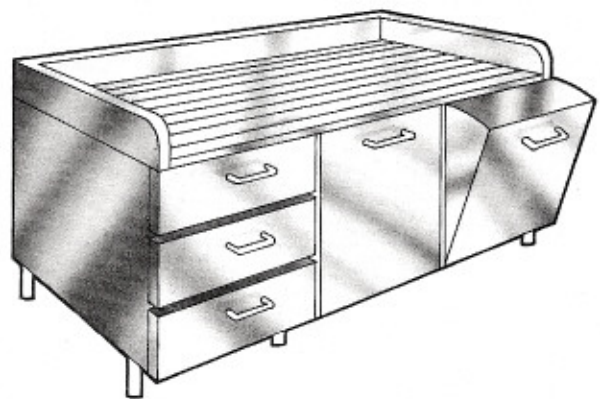
- Backsplash-mounted duplex receptacle
- Mobile ingredient bins for Baker's Tables
- Overhead spice-rack shelf for Baker's Tables
- Casters — set of 4 for mobile units
- Customized accessories — pricing on application

# BAKER'S PREPARATION TABLES

## General Specifications

- Worktops shall be 44mm (1¾") thick laminated hardwood complete with 90mm (3½") back and side curbs.
- Cabinet enclosures, drawers and bins shall be all stainless steel construction.
- Units shall be mounted on tubular, stainless steel legs c/w adjustable, levelling feet.

MODEL	LENGTH	WIDTH	DRAWERS	BINS
BDBT-48	1220mm 48 in.	760mm 30 in.	3	2
BDBT-60	1524mm 60 in.	760mm 30 in.	3	2
BDBT-72	1828mm 72 in.	760mm 30 in.	3	3
BDBT-84	2130mm 84 in.	760mm 30 in.	3	3
BDBT-96	2440mm 96 in.	760mm 30 in.	3	3
BDOT-48	1220mm 48 in.	760mm 30 in.	3	0
BDOT-60	1524mm 60 in.	760mm 30 in.	3	0
BDOT-72	1828mm 72 in.	760mm 30 in.	3	0
BDOT-84	2130mm 84 in.	760mm 30 in.	3	0
BDOT-96	2440mm 96 in.	760mm 30 in.	3	0



Standard working height for all Baker's Preparation Tables is 890mm (35 in.)