

**ridalco**



# **KITCHEN EXHAUST VENTILATORS**

# KITCHEN EXHAUST VENTILATORS

## General Specifications

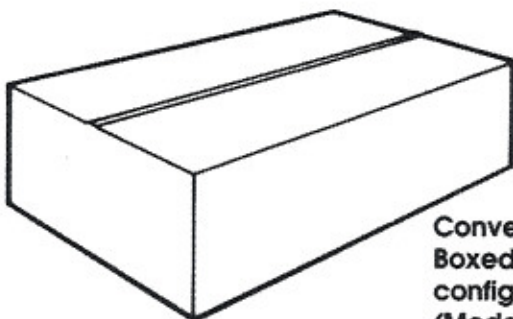
### Material:

- Ventilator is constructed of a minimum 18 gauge (1.2 mm) stainless steel type 304, with No. 4 fin.
- All joints and seams are welded and/or liquid tight. All exposed welds are ground and polished to the original finish of metal.

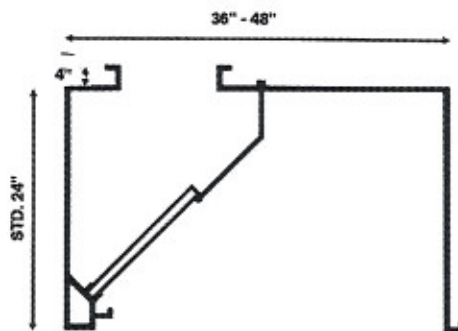
### Collection Trough

Ventilators are provided with a one piece stainless steel grease trough and a stainless steel grease container drawer.

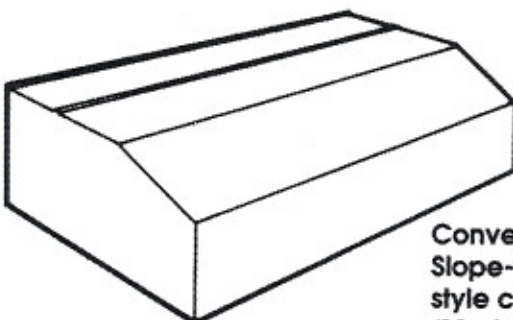
Exhaust Duct Collars (where specified): 14 gauge (2.0 mm) stainless steel all welded c/w 1" (25 mm) flanged perimeter connecting edge.



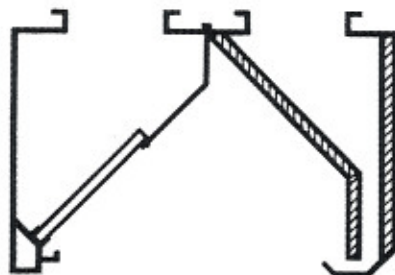
Conventional  
Boxed-style  
configuration  
(Model SWH-B)



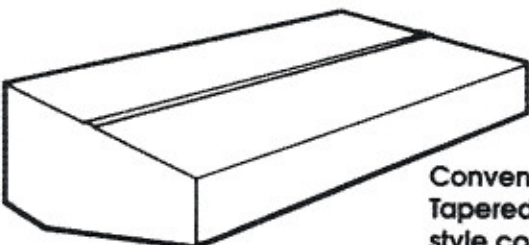
Conventional  
"Boxed-style"  
Exhaust Ventilator.  
(also available in  
"tapered-front"  
configuration)



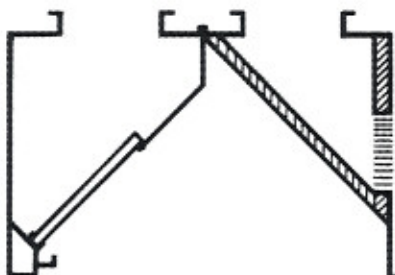
Conventional  
Slope-front  
style configuration  
(Model SWH-A)



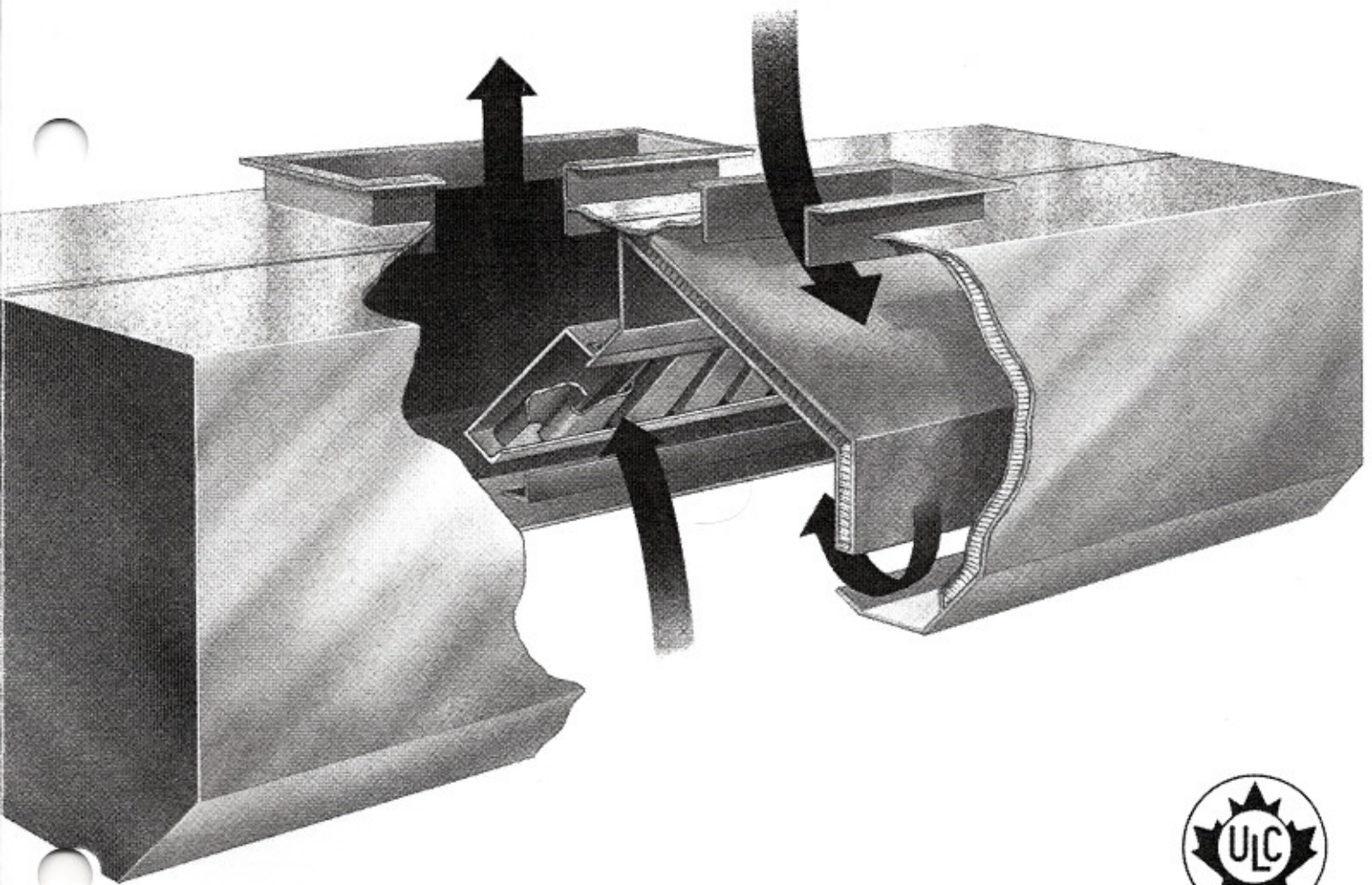
Exhaust ventilator  
having integral  
make-up air  
chamber with  
slot-style air  
introduction.



Conventional  
Tapered-front  
style configuration  
(Model SWH-T)



Exhaust ventilator  
having integral  
make-up air  
chamber with  
grill-style air  
introduction.



Length (mm) (ft-in.)	Model No.	Light Duty 250 CFM/Ft*			Medium Duty 300 CFM/Ft**			Heavy Duty 350 CFM/Ft***		
		CFM	DUCT COLLAR SIZE (mm) (in.)		CFM	DUCT COLLAR SIZE (mm) (in.)		CFM	DUCT COLLAR SIZE (mm) (in.)	
1220 4-0	SWH-48	1000	177 x 305	7 x 12	1200	228 x 305	9 x 12	1400	254 x 305	10 x 12
1524 5-0	SWH-60	1250	228 x 305	9 x 12	1500	280 x 305	11 x 12	1750	330 x 305	13 x 12
1828 6-0	SWH-72	1500	280 x 305	11 x 12	1800	330 x 305	13 x 12	2100	380 x 305	15 x 12
2130 7-0	SWH-84	1750	305 x 305	12 x 12	2100	380 x 305	15 x 12	2450	430 x 305	17 x 12
2440 8-0	SWH-96	2000	355 x 305	14 x 12	2400	430 x 305	17 x 12	2800	508 x 305	20 x 12
2750 9-0	SWH-108	2250	405 x 305	16 x 12	2700	482 x 305	19 x 12	3150	584 x 305	24 x 12
3050 10-0	SWH-120	2500	457 x 305	18 x 12	3000	558 x 305	22 x 12	3500	660 x 305	26 x 12
3355 11-0	SWH-132	2750	508 x 305	20 x 12	3300	610 x 305	24 x 12	3850	711 x 305	28 x 12
3660 12-0	SWH-144	3000	558 x 305	22 x 12	3600	680 x 305	27 x 12	4200	812 x 305	32 x 12

Light Duty: Steamers, Kettles, Bake Ovens, etc.

\*Medium Duty: Restaurant Ranges, Convection Ovens, etc.

\*\*\*Heavy Duty: Ranges, Fryers, Broilers, Griddles, etc.

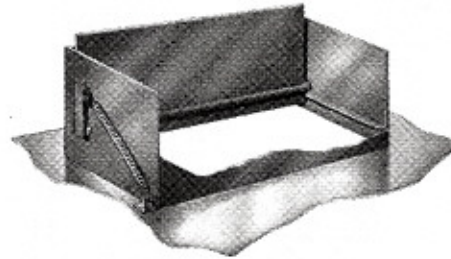
Construction specifications subject to change without notice.

# OPTIONS & ACCESSORIES

---

## Fire Damper

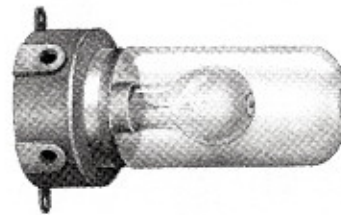
Fire-rated damper – to be self-closing, and manufactured from 12 ga. galvanized steel. Damper to be controlled by a U.L.C.-Listed fusible link.



---

## Incandescent Light

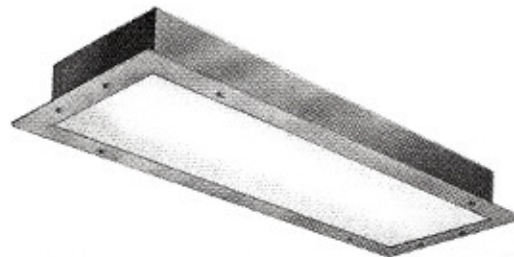
Incandescent vapour proof fixture is supplied c/w protective globe and base-mounting fixture.



---

## Fluorescent Light

Fluorescent-style, vapour-proof fixture is equipped with hinged lens cover for easy removal of tubes. Standard length is 48 in. (1200 mm)



---

## Extractor

- Standard extractors are manufactured from 20 gauge galvanized steel.
- Grease extractors are also available in aluminium or stainless steel to replace standard galvanized steel units.



\*Exhaust Fans, Supply-Air fans are available on request.

\*\*Fire-protection Systems are available on request