

ridalco

HOT FOOD COUNTERS

HOT FOOD COUNTERS

General Specifications

ST - Series

(Water Pan Style)

- Top and water pan shall be manufactured in heavy-duty 16 gauge stainless steel.
- Standard cabinet construction features an open storage base and a reinforced bottom shelf, with an enamelled-steel finish (optional stainless steel finish).
- Electric heating, elements are appropriately sized for application.
- Standard 8" wide hardwood cutting board on gusset brackets.
- Sanitary adjustable levelling feet.
- Float-valve water fill assembly, including a drain and overflow pipe (optional manual water fill available).

ST - SERIES (Water Pan Style)

Model	# of Wells	Power	Length		Width	
			(mm)	(in.)	(mm)	(in.)
ST-48E	3	3.0 kw	1220	48	812	32
ST-60E	4	4.0 kw	1524	60	812	32
ST-74E	5	4.5 kw	1829	74	812	32

Electrical: 208-240/1/60

Standard Working Height 890mm (35")

General Specifications

RST - Series

(Wet/Dry Well Style)

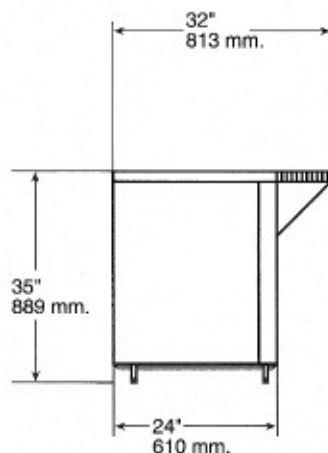
- Top shall be manufactured in heavy-duty 16 gauge stainless steel.
- Standard cabinet construction features an open storage base and a reinforced bottom shelf, with an enamelled-steel finish (optional stainless steel finish).
- Each well is individually thermostatically controlled.
- Standard 8" wide hardwood cutting board on gusset brackets.
- Sanitary adjustable levelling feet.

RST - SERIES (Wet/Dry Well Style)

Model	# of Wells	Power	Length		Width	
			(mm)	(in.)	(mm)	(in.)
RST-48	3	3.0 kw	1220	48	812	32
RST-60	4	4.0 kw	1524	60	812	32
RST-74	5	5.0 kw	1829	74	812	32

Electrical: 208-240/1/60

Standard Working Height 890mm (35")

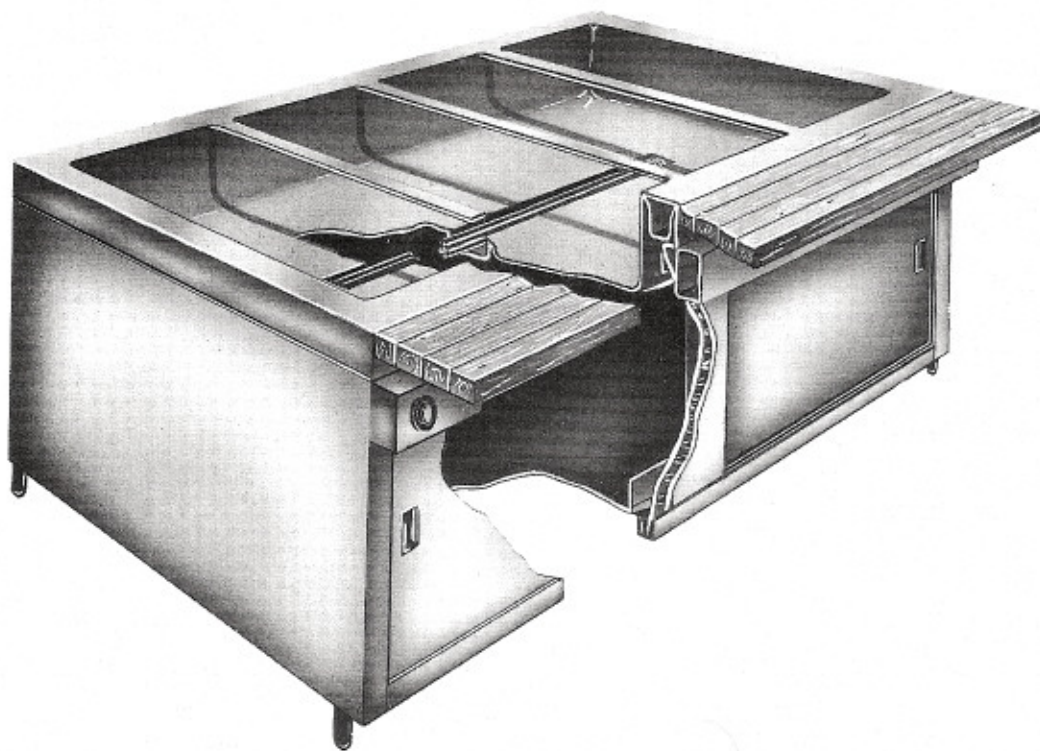


LEFT SIDE VIEW

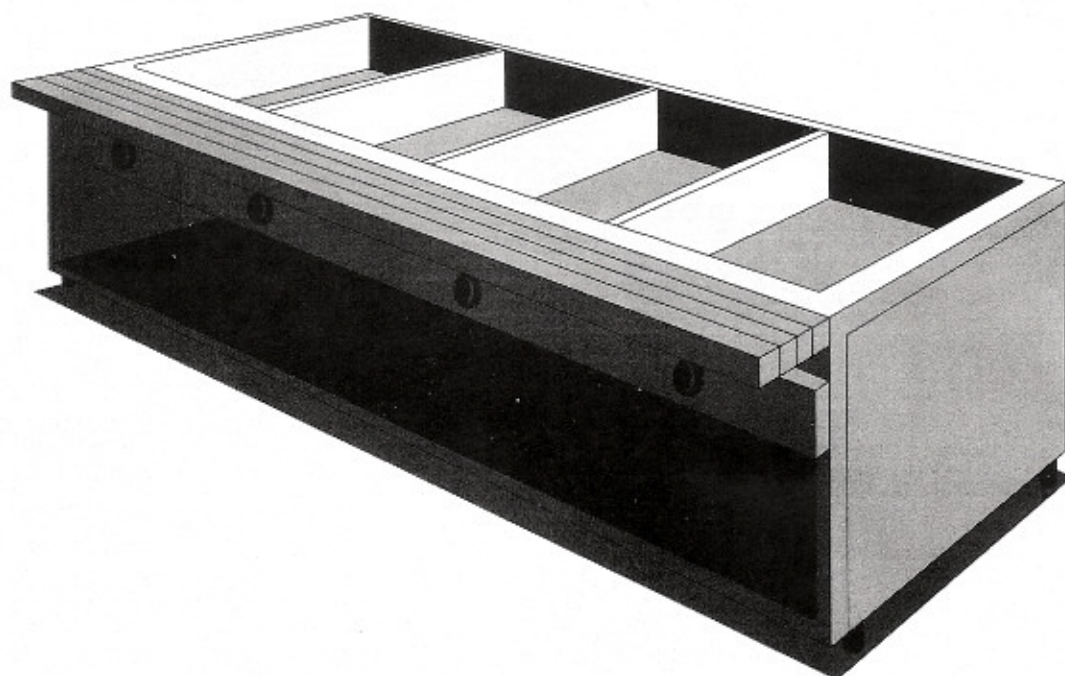
ridalco

Ridalco Industries Inc.
1551 Michael Street
Ottawa, Ontario K1B 3T4

Tel. (613) 745-9161
Fax (613) 745-6452



ST - Series



RST - Series

ridalco

Ridalco Industries Inc.
1551 Michael Street
Ottawa, Ontario K1B 3T4

Tel. (613) 745-9161
Fax (613) 745-6452

OPTIONS & ACCESSORIES

For all models

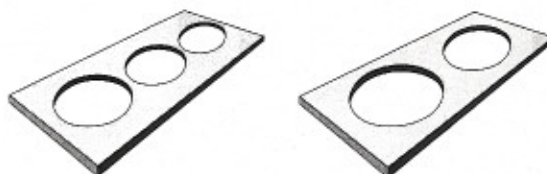
Telescope Roll Covers

Available in single or double assemblies



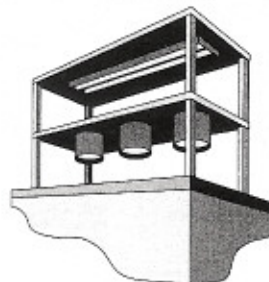
Circular Insert Adapter Plates

Custom sizes/configurations available.



Overshelves

- Single or double tier stainless steel
- Glass or plexiglass sneezeguards
- White or Infra-red lamps
- Infra-red heated strip



Options

- Plate shelf style construction
- Load center - recommended for RST - Series
- Polyethylene cutting board in lieu of wood
- Manual fill valve in lieu of floatvalve
- Sliding or hinged base cabinet doors
- Insulated base cabinet complete with heat pack

Construction specifications subject to change without notice.

ridalco

Ridalco Industries Inc.
1551 Michael Street
Ottawa, Ontario K1B 3T4

Tel. (613) 745-9161
Fax (613) 745-6452