



**Foodservice &
Commercial
Equipment
Price List**

2022

Effective December 1, 2021

ABOUT RIDALCO

RIDALCO Industries Inc. is a privately owned metal fabrication company with a proud history dating back to the mid 1940's. RIDALCO custom manufactures precision products, parts, assemblies, enclosures, cabinets, sinks, and furniture in stainless steel, mild steel, aluminum, copper, and brass for a wide variety of industries and applications across North America, including:

- ⇒ Stainless Steel Commercial Foodservice Equipment for Restaurants and Cafeterias;
- ⇒ Stainless Steel Medical Cabinetry, Tables, Carts and Equipment for Hospitals, Labs, Medical and Veterinarian Clinics, Schools and Other Institutions;
- ⇒ Custom Stainless Steel Fabrication for Pharmaceutical Manufacturers and Food Processing Plants;
- ⇒ Stainless Steel Countertops, Cabinetry, Backsplashes, Exhaust Hoods and Furniture for Residential Kitchens and Other Rooms in the Home;
- ⇒ Stainless Steel Dog Wash Sinks for Veterinarians, Groomers, and Residential Customers;
- ⇒ Stainless Steel, Aluminum, and Steel Corner Guards and Decorative Pieces for Commercial Building Lobbies, Elevators, Loading Docks, etc.
- ⇒ Custom Job Shop Metal Parts Fabrication for Industrial Factories and Assembly Plants serving customers in such diverse industries as Mining, Pulp and Paper, Construction, etc.

For more information, visit our website at www.ridalco.com/foodservice.

For downloadable drawings in CAD, BIM, and other formats, visit our CADdetails microsite at microsite.caddetails.com/4396.

CONTACTS

Joe Hunnisett

(613) 745-9161 ext. 22
jhunnisett@ridalco.com

Scott Hunnisett

(613) 745-9161 ext. 29
shunnisett@ridalco.com

Richard Cousineau

(613) 745-9161 ext. 27
rcousineau@ridalco.com

Pierre Rail

(613) 745-9161 ext. 24
prail@ridalco.com

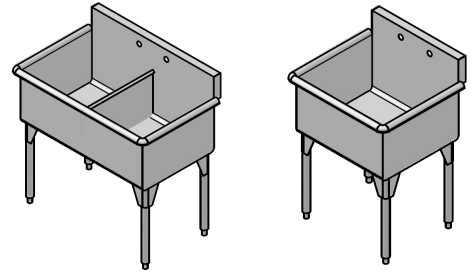


TABLE OF CONTENTS

Sinks & Dishtabling	
Utility Sinks.....	2
Wall Mount Trough Sinks.....	2
Economy Utility Sinks	3
Economy Dishtabling	4
Standard Dishtabling.....	4
Drainboard Sink Units	5
Institutional Sinks	6
Mobile Sinks.....	6
General Sink Options & Accessories.....	6
Work Tables	
Wood Top Worktables	7
Stainless Steel Top Worktables	7
General Work Table Options & Accessories	7
Utensil Racks	
Table-Mounted Utensil Racks.....	8
Wall-Mounted Utensil Racks.....	8
Coat Racks	
Wall-Mounted Coat Racks	8
Cabinets & Utility Counters	
Wall Cupboards.....	8
Utility Counters, Open Base.....	9
Utility Counters, Closed Base	9
Plate Cabinets.....	9
Bakers Prep Tables	10
Hot Food Tables	
Hot Food Tables, Water Pan Style	10
Hot Food Tables Options & Accessories	10
Bar Equipment	
Cocktail Mix Units.....	11
Jockey Stations.....	11
Bar Sink & Ice Bin Options & Accessories.....	11
Drop-in Insulated Ice Bins.....	11
Exhaust Ventilators	
Exhaust Ventilators, Stainless Steel	12
Exhaust Ventilators Options & Accessories.....	12
CORNER GUARDS	
Stainless Steel Corner Guards	13
Aluminum Treadplate Corner Guards	13

WARRANTY INFORMATION

All Ridalco equipment carries a full 12 month parts and labour warranty effective from date of shipment. Certain specific exclusions to warranty coverage apply. Normal wear and tear (scratching, denting) is not covered by warranty. Negligence to or abuse of equipment will not be covered by warranty. Warranty service must be authorized by Ridalco. This warranty shall be null and void if the product is modified in any way by anyone who has not been authorized to do so by Ridalco Industries Inc.

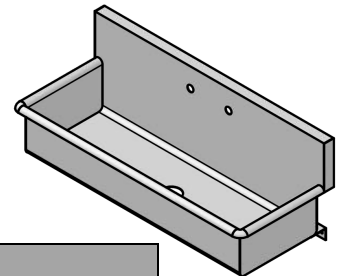


FREESTANDING UTILITY SINKS, 16 gauge

Model	List Price	Type SS	Overall Dimension	Bowl Dimension	No. of Bowls	Bowl Depth
			Left to Right x Front to Back	Left to Right x Front to Back		
RUS-1-1818	1,895.00	304	21.5" x 22" (55cm x 56cm)	18" x 18" (46cm x 46cm)	1	13" (33cm)
RUS-1-2421	1,995.00	304	27.5" x 24.5" (70cm x 62cm)	24" x 21" (61cm x 53cm)	1	13" (33cm)
RUS-1-3024	2,195.00	304	33.5" x 27.5" (85cm x 70cm)	30" x 24" (76cm x 61cm)	1	13" (33cm)
RUS-1-3624	2,295.00	304	39.5" x 27.5" (100cm x 70cm)	36" x 24" (91cm x 61cm)	1	13" (33cm)
RUS-1-4824	2,495.00	304	51.5" x 27.5" (131cm x 70cm)	48" x 24" (122cm x 61cm)	1	13" (33cm)
RUS-2-3621	2,695.00	304	39.5" x 24.5" (100cm x 62cm)	18" x 21" (46cm x 53cm)	2	13" (33cm)
RUS-2-4821	2,895.00	304	51.5" x 24.5" (131cm x 62cm)	24" x 21" (61cm x 53cm)	2	13" (33cm)
RUS-2-5421	2,995.00	304	57.5" x 24.5" (146cm x 62cm)	27" x 21" (69cm x 53cm)	2	13" (33cm)
RUS-2-6021	3,195.00	304	63.5" x 24.5" (161cm x 62cm)	30" x 21" (76cm x 53cm)	2	13" (33cm)
RUS-2-6024	3,295.00	304	63.5" x 27.5" (161cm x 70cm)	30" x 24" (76cm x 61cm)	2	13" (33cm)
RUS-3-4821	3,595.00	304	51.5" x 24.5" (131cm x 62cm)	16" x 21" (41cm x 53cm)	3	13" (33cm)
RUS-3-5421	3,795.00	304	57.5" x 24.5" (146cm x 62cm)	18" x 21" (46cm x 53cm)	3	13" (33cm)
RUS-3-6021	3,895.00	304	63.5" x 24.5" (161cm x 62cm)	20" x 21" (51cm x 53cm)	3	13" (33cm)
RUS-3-6024	3,995.00	304	63.5" x 27.5" (161cm x 70cm)	20" x 24" (51cm x 61cm)	3	13" (33cm)
RUS-3-7224	4,395.00	304	75.5" x 27.5" (192cm x 70cm)	24" x 24" (63cm x 63cm)	3	13" (33cm)

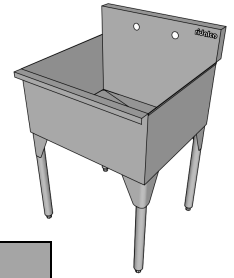
*for type 316, add 35%

WALL MOUNT TROUGH SINKS, 16 gauge



Model	List Price	Type SS	Overall Dimension	Bowl Dimension	Bowl Depth
			Left to Right x Front to Back	Left to Right x Front to Back	
SUS-36	2,195.00	304	36" x 20" (91cm x 51cm)	32" x 16" (81cm x 41cm)	8" (20cm)
SUS-48	2,595.00	304	48" x 20" (122cm x 51cm)	44" x 16" (112cm x 41cm)	8" (20cm)
SUS-54	2,895.00	304	54" x 20" (137cm x 51cm)	50" x 16" (127cm x 41cm)	8" (20cm)
SUS-60	2,995.00	304	60" x 20" (152cm x 51cm)	56" x 16" (142cm x 41cm)	8" (20cm)
SUS-72	3,495.00	304	72" x 20" (183cm x 51cm)	68" x 16" (173cm x 41cm)	8" (20cm)
SUS-84	3,795.00	304	84" x 20" (213cm x 51cm)	80" x 16" (203cm x 41cm)	8" (20cm)

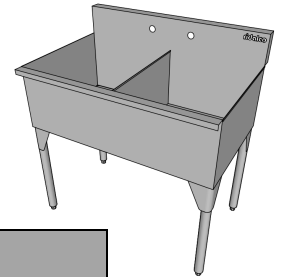
*for all radius corners, add 35%



SINGLE BOWL ECONO SINKS, 16 gauge

Model	List Price	Type SS	Overall Dimension		Bowl Depth
			Left to Right x Front to Back	Bowl Dimension	
EC-1-1818	950.00	304	18" x 21.5" (46cm x 55cm)	18" x 18" (46cm x 46m)	12" (30cm)
EC-1-2421	995.00	304	24" x 24.5" (61cm x 62cm)	24" x 21" (61cm x 53cm)	12" (30cm)
EC-1-3024	1,095.00	304	30" x 27.5" (76cm x 70cm)	30" x 24" (76cm x 61cm)	12" (30cm)
EC-1-3624	1,195.00	304	36" x 27.5" (91cm x 70cm)	36" x 24" (91cm x 61cm)	12" (30cm)
EC-1-4824	1,295.00	304	48" x 27.5" (122cm x 70cm)	48" x 24" (122cm x 61cm)	12" (30cm)

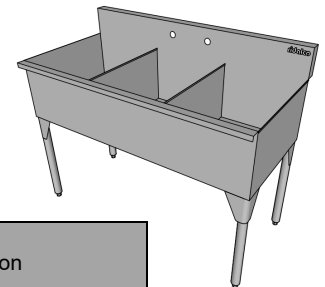
*for type 316, add 35%



DOUBLE BOWL ECONO SINKS, 16 gauge

Model	List Price	Type SS	Overall Dimension		Bowl Depth
			Left to Right x Front to Back	Bowl Dimension	
EC-2-3621	1,395.00	304	36" x 24.5" (91cm x 62cm)	18" x 21" (46cm x 53cm)	12" (30cm)
EC-2-4821	1,495.00	304	48" x 24.5" (122cm x 62cm)	24" x 21" (61cm x 53cm)	12" (30cm)
EC-2-5421	1,550.00	304	54" x 24.5" (137cm x 62cm)	27" x 21" (69cm x 53cm)	12" (30cm)
EC-2-6021	1,650.00	304	60" x 24.5" (152cm x 62cm)	30" x 21" (76cm x 53cm)	12" (30cm)
EC-2-6024	1,695.00	304	60" x 27.5" (152cm x 70cm)	30" x 24" (76cm x 61cm)	12" (30cm)

*for type 316, add 35%

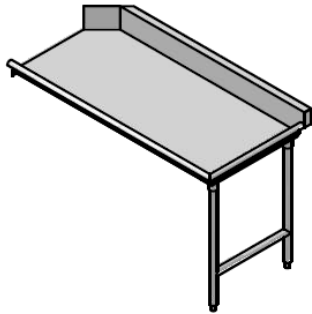


TRIPLE BOWL ECONO SINKS, 16 gauge

Model	List Price	Type SS	Overall Dimension		Bowl Depth
			Left to Right x Front to Back	Bowl Dimension	
EC-3-4821	1,850.00	304	48" x 24.5" (122cm x 62cm)	16" x 21" (41cm x 53cm)	12" (30cm)
EC-3-5421	1,950.00	304	54" x 24.5" (137cm x 62cm)	18" x 21" (46cm x 53cm)	12" (30cm)
EC-3-6021	1,995.00	304	60" x 24.5" (152cm x 62cm)	20" x 21" (51cm x 53cm)	12" (30cm)
EC-3-6024	2,050.00	304	60" x 27.5" (152cm x 70cm)	20" x 24" (51cm x 61cm)	12" (30cm)
EC-3-7224	2,250.00	304	72" x 27.5" (183cm x 70cm)	24" x 24" (63cm x 63cm)	12" (30cm)

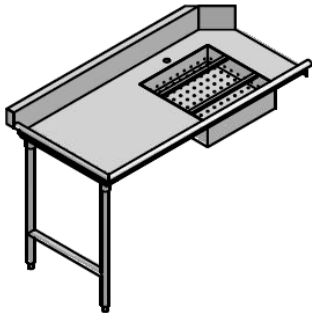
*for type 316, add 35%

ECONOMY DISHTABLES

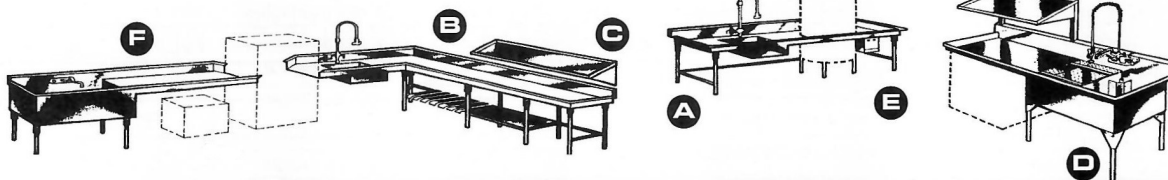


STRAIGHT-THRU DISHTABLING				
Soiled Model	List Price	Clean Model	List Price	Length
SDT-27	2,295.00	CDT-24	735.00	27" (69cm)
SDT-44	2,495.00	CDT-44	895.00	44" (112cm)
SDT-64	2,695.00	CDT-64	1,095.00	64" (163cm)

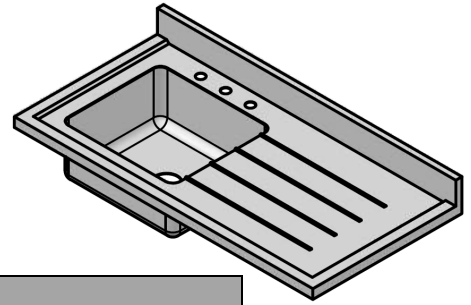
For custom sizes: **Soiled** \$1,350 + 3.90/lin.inch **Clean** \$750 + 2.70/lin.inch



STANDARD DISHTABLING, 3 ft. minimum	
Straight tables, all covered, 14ga s/s (NSF construction)	\$595.00/ft.
Straight tables, 16ga s/s construction	\$495.00/ft.
Welded/polished joints for "L" shaped tables & straight tables longer than 9ft. Add for each joint	\$895.00
DISTABLING COMBINATION ASSEMBLIES (MINI-SCULLERIES)	
Includes: Dishtable, sink(s), slanted overshelf (pre-rinse spray assembly not included)	
RD-53 single sink assembly	\$5,195.00
RD-75 double sink assembly	\$5,595.00



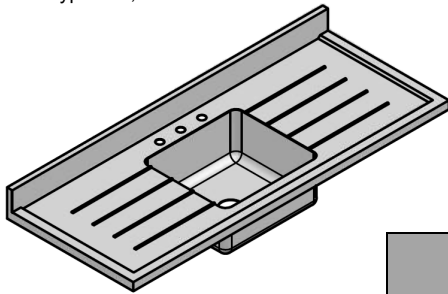
DISHTABLE OPTIONS & ACCESSORIES					
A	Integrally-welded pre-rinse sink, basket and spray assembly	\$2,495.00	C	Wall mount, slanted sorting shelf (min. 2ft.)	\$295.00/ft.
	Integrally-welded pre-rinse sink, basket and NSF style	\$2,995.00	D	Stainless steel leg bracing	\$20.00/ft.
	Pre-rinse faucet assembly with wall bracket	\$895.00	E	Circular dishwasher cut-out	\$495.00
	Add-on faucet for pre-rinse assembly	\$295.00	F	Integrally-welded pot sink, Single (24" x 21") Double (48" x 21")	\$1,795.00 \$2,695.00
B	Pre-rinse basket only, Standard	\$395.00		Dishwasher exhaust hood, 36", stainless steel	\$2,095.00
	All covered stainless steel	\$995.00		Rubber scrapping block, supplied and installed	\$95.00 ea
	Semi-covered stainless steel	\$695.00			
	Table undershelfing, Solid stainless steel	\$1,795.00			
	Slatted stainless steel	\$2,695.00			



SINGLE DRAINBOARD SINK, 16 gauge

Model	List Price	Type SS	Overall Dimension	Bowl Dimension	Drainboard Position
			Left to Right x Front to Back	Left to Right x Front to Back	
RSBD-36	4,595.00	304	36" x 24" (91cm x 61cm)	18" x 16" x 9" (46cm x 41cm x 23cm)	Specify (spécifier)
RSBD-48	4,895.00	304	48" x 24" (122cm x 61cm)	18" x 16" x 9" (46cm x 41cm x 23cm)	Specify (spécifier)
RSBD-60	5,195.00	304	60" x 24" (152cm x 61cm)	18" x 16" x 9" (46cm x 41cm x 23cm)	Specify (spécifier)

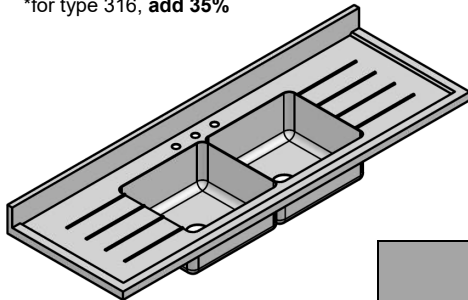
*for type 316, add 35%



DOUBLE DRAINBOARD SINK, 16 gauge

Model	List Price	Type SS	Overall Dimension	Bowl Dimension	Drainboard Length
			Left to Right x Front to Back	Left to Right x Front to Back	
RSB2D-48	5,195.00	304	48" x 24" (122cm x 61cm)	18" x 16" x 9" (46cm x 41cm x 23cm)	each - 15" (38cm)
RSB2D-60	5,495.00	304	60" x 24" (152cm x 61cm)	18" x 16" x 9" (46cm x 41cm x 23cm)	each - 21" (53cm)
RSB2D-72	5,795.00	304	72" x 24" (183cm x 61cm)	18" x 16" x 9" (46cm x 41cm x 23cm)	each - 27" (69cm)

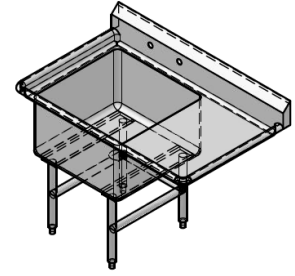
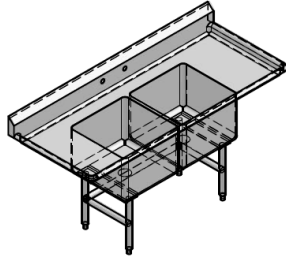
*for type 316, add 35%



DOUBLE DRAINBOARD, DOUBLE SINK, 16 gauge

Model	List Price	Type SS	Overall Dimension	Bowl Dimension	Drainboard Length
			Left to Right x Front to Back	Left to Right x Front to Back	
R2BDC-60	6,795.00	304	60" x 24" (152cm x 61cm)	18" x 16" x 9" (46cm x 41cm x 23cm)	each - 12" (30cm)
R2BDC-72	7,495.00	304	72" x 24" (183cm x 61cm)	18" x 16" x 9" (46cm x 41cm x 23cm)	each - 18" (46cm)
R2BDC-84	7,695.00	304	84" x 24" (213cm x 61cm)	18" x 16" x 9" (46cm x 41cm x 23cm)	each - 24" (61cm)

*for type 316, add 35%



HEAVY-DUTY INSTITUTIONAL SINKS (all covered)

Model	List Price	Type SS	Overall Dimension	Bowl Dimension	Bowl Depth
			Left to Right x Front to Back	Left to Right x Front to Back	
RC1S-2020	5,795.00	304	46" x 30" (117cm x 76cm)	20" x 20" (51cm x 51cm)	14" (36cm)
RC1S-2424	5,995.00	304	46" x 30" (117cm x 76cm)	24" x 24" (61cm x 61cm)	14" (36cm)
RC2S-2020	8,595.00	304	72" x 30" (183cm x 76cm)	20" x 20" (76cm x 61cm)	14" (36cm)
RC2S-2424	9,395.00	304	84" x 30" (213cm x 76cm)	24" x 24" (61cm x 61cm)	14" (36cm)
RC2S-2430	11,295.00	304	108" x 30" (274cm x 76cm)	24" x 30" (61cm x 76cm)	14" (36cm)
RC3S-2020	11,195.00	304	96" x 30" (244cm x 76cm)	20" x 20" (51cm x 51cm)	14" (36cm)
RC3S-2424	12,595.00	304	108" x 30" (274cm x 76cm)	24" x 30" (61cm x 76cm)	14" (36cm)
RC3S-2430	14,395.00	304	120" x 30" (305cm x 76cm)	24" x 30" (61cm x 76cm)	14" (36cm)

*for corner drains, **add 5%**
 *for type 316, **add 35%**



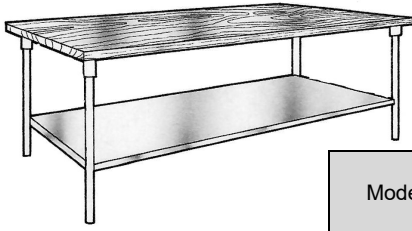
MOBILE SOAK SINKS (all covered)

Model	List Price	Type SS	Overall Dimension	Bowl Dimension	Bowl Depth
			Left to Right x Front to Back	Left to Right x Front to Back	
RMSS-2020	4,395.00	304	25" x 25" (64cm x 64cm)	20" x 20" (51cm x 51cm)	10" (25cm)
RMSS-3030	5,695.00	304	33" x 33" (84cm x 84cm)	30" x 30" (76cm x 76cm)	12" (30cm)

*for type 316, **add 35%**
 *for bowl depth up to 18", **add 20%**

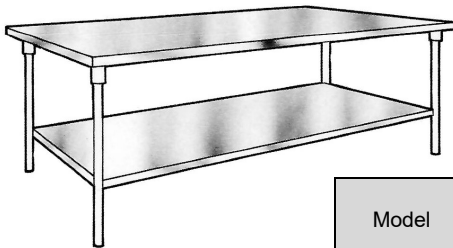
GENERAL SINK OPTIONS & ACCESSORIES

DRAINBOARDS:		REPLACEMENT DRAIN FITTINGS:	
Counter style (up to 20" long)	\$495.00	Corner style with tailpiece (type 304 s/s)	\$50.00
"HSD" clip-on safety-edge drainboard (15" min to 24" max)	\$56/inch	Chrome-plated overflow standpipe	\$44.00
"DIW" integrally welded 24" drainboard for RUS series (R/L)	\$1,375.00 ea	Stainless steel overflow standpipe (type 316)	\$140.00
Removable sink cover	\$295.00 ea	Basket strainer drain (type 304)	\$56.00
Dishrack guide	\$195/basin	Basket strainer drain (type 316)	\$195.00
		Lever or twist handle drain	\$220.00
		Perforated swill guard	\$95.00



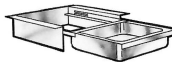
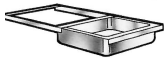
WOOD TOP WORKTABLES

Model	List Price	Type SS	Overall Dimension	
			Left to Right x Front to Back	Weight (lbs.)
WT-04830	2,395.00	304	48" x 30" (122cm x 76cm)	220
WT-06030	2,795.00	304	60" x 30" (152cm x 76cm)	250
WT-07230	3,195.00	304	72" x 30" (183cm x 76cm)	300
WT-08430	3,495.00	304	84" x 30" (213cm x 76cm)	320
WT-09630	4,195.00	304	96" x 30" (244cm x 76cm)	380
WT-10830	4,595.00	304	108" x 30" (274cm x 76cm)	400
WT-12030	4,995.00	304	120" x 30" (305cm x 76cm)	450



STAINLESS STEEL WORKTABLES

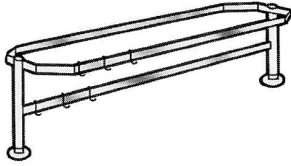
Model	List Price	Type SS	Overall Dimension	
			Left to Right x Front to Back	Weight (lbs.)
SWT-03630	1,695.00	304	36" x 30" (91cm x 76cm)	150
SWT-04830	1,895.00	304	48" x 30" (122cm x 76cm)	170
SWT-06030	2,195.00	304	60" x 30" (152cm x 76cm)	190
SWT-07230	2,395.00	304	72" x 30" (183cm x 76cm)	210
SWT-08430	2,695.00	304	84" x 30" (213cm x 76cm)	240
SWT-09630	3,295.00	304	96" x 30" (244cm x 76cm)	260
SWT-10830	3,595.00	304	108" x 30" (274cm x 76cm)	290
SWT-11630	3,695.00	304	116" x 30" (265cm x 76cm)	320
SWT-12030	3,895.00	304	120" x 30" (305cm x 76cm)	330



GENERAL WORKTABLE OPTIONS & ACCESSORIES

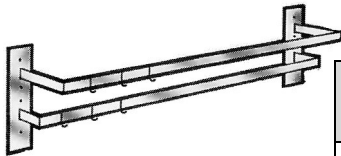
For type 316 stainless steel	add 35%	Wall mounted shelves (min. 3ft.)	
For 24" depth tables	deduct 5%	18 gauge stainless steel	\$130.00/ft.
For 36" depth tables	add 10%	16 gauge stainless steel	\$165.00/ft.
3.5" high stainless steel backsplash	n/c	Table mounted shelves (min. 3ft.)	
6" high stainless steel backsplash	\$25/linear ft.	Single	\$225.00/ft.
Set of 4 casters	\$395.00	Double	\$295.00/ft.
Tubular bracing (instead of undershelf)	n/c	Integrally welded sink with faucet & drain fittings (16" x 20" x 10")	\$1,995.00
For additional stainless steel undershelf	\$170/linear ft.	Drawer assembly with plastic pan	
		Econo-style (friction slides)	\$395.00
		Deluxe style (s/s housing and track)	\$995.00

TABLE-MOUNTED UTENSIL RACKS (stainless steel)



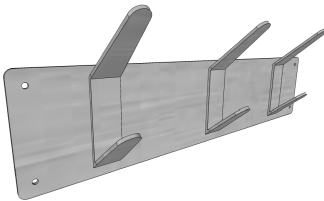
Model	List Price	Type SS	Overall Dimension	
			Left to Right x Front to Back	Weight (lbs.)
TPR-4	1,495.00	304	42" x 16" (107cm x 41cm)	50
TPR-5	1,595.00	304	54" x 16" (137cm x 41cm)	60
TPR-6	1,695.00	304	66" x 16" (168cm x 41cm)	70
TPR-7	1,895.00	304	78" x 16" (198cm x 41cm)	80
TPR-8	1,995.00	304	90" x 16" (229cm x 41cm)	90
TPR-9	2,095.00	304	102" x 16" (259cm x 41cm)	100
TPR-10	2,395.00	304	114" x 16" (290cm x 41cm)	110

WALL-MOUNTED UTENSIL RACKS (stainless steel)



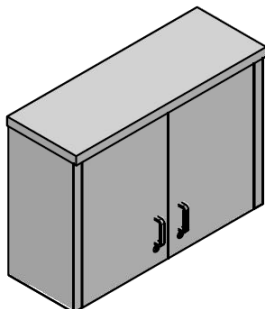
Model	List Price	Type SS	Overall Dimension	
			Left to Right x Front to Back	Weight (lbs.)
WPR-4	1,195.00	304	48" x 11" (122cm x 28cm)	35
WPR-5	1,295.00	304	60" x 11" (152cm x 28cm)	45
WPR-6	1,395.00	304	72" x 11" (183cm x 28cm)	55
WPR-7	1,495.00	304	84" x 11" (213cm x 28cm)	65
WPR-8	1,795.00	304	96" x 11" (244cm x 28cm)	75

WALL-MOUNTED COAT RACKS (stainless steel)



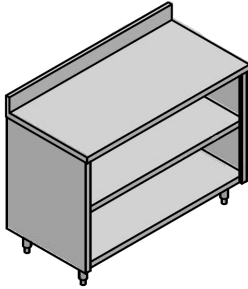
Model	List Price	Type SS	Back Plate Dimension	
			Left to Right x Top to Bottom	No. of Prongs
3CH/18-4	82.00	304	18" x 4" (46cm x 10cm)	3
4CH/24-4	146.00	304	24" x 4" (61cm x 10cm)	4
6CH/36-4	189.00	304	36" x 4" (91cm x 10cm)	6

WALL CUPBOARDS, hinged or sliding doors



Model	List Price	Type SS	Overall Dimension	
			Left to Right x Front to Back x Top to Bottom	Weight (lbs.)
SWC-48	3,695.00	304	48" x 15" x 30" (122cm x 38cm x 76cm)	120
SWC-60	4,295.00	304	60" x 15" x 30" (152cm x 38cm x 76cm)	180
SWC-72	4,695.00	304	72" x 15" x 30" (183cm x 38cm x 76cm)	200

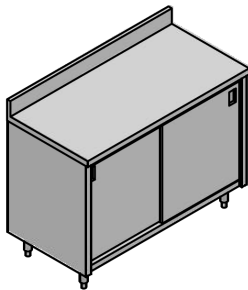
*for type 316, add 35%
Specify sliding (SD) or hinged (HD) for units with doors.



UTILITY COUNTERS, open base

Model	List Price	Type SS	Overall Dimension	
			Left to Right x Front to Back	Weight (lbs.)
RUU-03630	3,295.00	304	36" x 30" (91cm x 76cm)	200
RUU-04830	3,395.00	304	48" x 30" (122cm x 76cm)	225
RUU-06030	3,795.00	304	60" x 30" (152cm x 76cm)	265
RUU-07230	4,295.00	304	72" x 30" (183cm x 76cm)	315
RUU-08430	4,795.00	304	84" x 30" (213cm x 76cm)	350
RUU-09630	5,195.00	304	96" x 30" (244cm x 76cm)	400

*for type 316, **add 35%**
 *for 24" depth, **deduct 5%**



UTILITY COUNTERS, closed base

Model	List Price	Type SS	Overall Dimension	
			Left to Right x Front to Back	Weight (lbs.)
RUU-03630D	4,995.00	304	36" x 30" (91cm x 76cm)	240
RUU-04830D	5,295.00	304	48" x 30" (122cm x 76cm)	260
RUU-06030D	5,795.00	304	60" x 30" (152cm x 76cm)	300
RUU-07230D	6,095.00	304	72" x 30" (183cm x 76cm)	360
RUU-08430D	7,395.00	304	84" x 30" (213cm x 76cm)	400
RUU-09630D	8,195.00	304	96" x 30" (244cm x 76cm)	440

*for type 316, **add 35%**
 *for 24" depth, **deduct 5%**

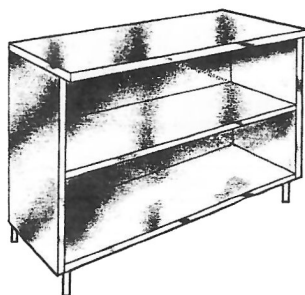
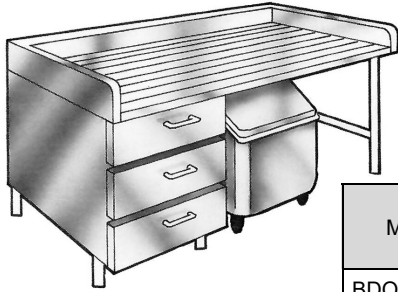


PLATE CABINETS, enclosed back & ends

Model	List Price	Type SS	Overall Dimension	
			Front to Back	Weight (lbs.)
RPCOS-14	550.00/ft.	304	14" (36cm)	30/ft.
RPCES-16	895.00/ft.	304	16" (41cm)	40/ft.

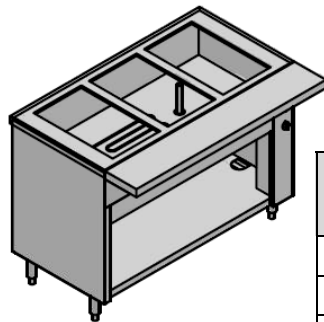
PLATE CABINET OPTIONS & ACCESSORIES:	
Heat pack for enclosed plate cabinets (incl. insulation)	\$425/ft.



BAKERS PREP TABLES, stainless steel

Model	List Price	Type SS	Overall Dimension	
			Left to Right x Front to Back	Weight (lbs.)
BDOT-04830	5,995.00	304	48" x 30" (122cm x 76cm)	260
BDOT-06030	6,095.00	304	60" x 30" (152cm x 76cm)	280
BDOT-07230	6,495.00	304	72" x 30" (183cm x 76cm)	320
BDOT-08430	6,995.00	304	84" x 30" (213cm x 76cm)	410
BDOT-09630	7,295.00	304	96" x 30" (244cm x 76cm)	470

BDOT 48" unit has space for 1 mobile ingredient bin
 BDOT 60" unit has space for 2 mobile ingredient bins
 BDOT 72" to 96" units have space for 3 or more ingredient bins



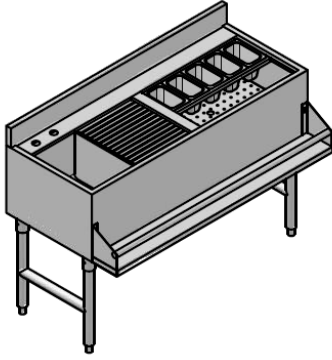
HOT FOOD TABLES, water pan style

Model	List Price	Wells	Overall Dimension	
			Left to Right x Front to Back	Weight (lbs.)
ST-32ES	4,695.00	2	32" x 32" (81cm x 81cm)	350
ST-48ES	5,195.00	3	48" x 32" (122cm x 81cm)	350
ST-60ES	5,695.00	4	60" x 32" (152cm x 81cm)	400
ST-74ES	6,275.00	5	74" x 32" (188cm x 81cm)	450
ST-88ES	7,295.00	6	88" x 32" (224cm x 81cm)	500

*Cabinet depth on ST series is 24"

HOT FOOD TABLE OPTIONS & ACCESSORIES

Insert pans and covers (not included)	call with requirements
Single roll cover	\$395.00
Stainless steel sliding doors for base cabinet	\$250.00/ft.
Heat pack and insulation for base cabinet	\$425.00/ft.
Single overshelf no sneezeguard	\$220.00/ft.
with sneezeguard	\$295.00/ft.
Double overshelf no sneezeguard	\$295.00/ft.
with sneezeguard	\$520.00/ft.
Infra-red strip heater, 48" long, mounted only	\$995.00
Adapter plates (2 or 3 hole)	\$230.00 each
Set of four casters 5" diameter (2 swivel, 2 rigid)	\$330.00

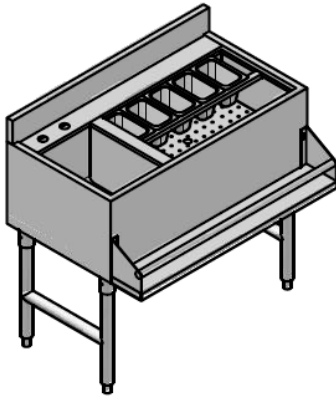


COCKTAIL MIX UNITS, with removable speed rail

Model	List Price	Bowls	Overall Dimension	
			Left to Right x Front to Back	Weight (lbs.)
RC36-1	2,995.00	1	36" x 24.5" (91cm x 62cm)	170
RC48-1	3,195.00	1	48" x 24.5" (122cm x 62cm)	175
RC60-1	3,395.00	1	60" x 24.5" (152cm x 62cm)	180
RC60-2	3,495.00	2	60" x 24.5" (152cm x 62cm)	190
RC72-3	4,495.00	3	72" x 24.5" (183cm x 62cm)	220
RC84-3	5,295.00	3	84" x 24.5" (213cm x 62cm)	230

**all models include 1 ice bin*

**use suffix "LB" for larger ice bin and no drainboard, add 10%*

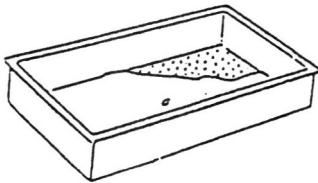


JOCKEY STATIONS, ice bin only (no sink or speed rail)

Model	List Price	Ice Bins	Overall Dimension	
			Left to Right x Front to Back	Weight (lbs.)
RJS-24	2,095.00	1	24" x 24" (61cm x 61cm)	170
RJS-36	2,595.00	1	36" x 24" (91cm x 61cm)	170
RJS-48	3,095.00	1	48" x 24" (122cm x 61cm)	175

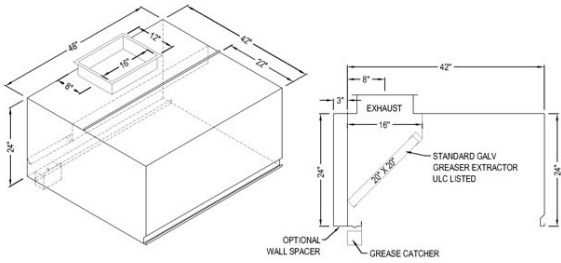
BAR SINK & ICE BIN OPTIONS & ACCESSORIES

Removable (clip-on) front speed rail	\$130.00/ft.
Towel ring	\$80.00 each
Bottle opener	\$65.00 each
Bottle top catcher	\$95.00 each
Deck style faucet with spray hose option	\$795.00 each



DROP-IN INSULATED ICE BINS

Model	List Price	Cutout Size	Weight (lbs.)
DIIB-1224	1,295.00	14.875" x 26.375" x 8" (38cm x 67cm x 20cm)	40
DIIB-1248	1,595.00	14.875" x 50.375" x 8" (38cm x 128cm x 20cm)	45
DIIB-2448	1,995.00	26.5" x 50.5" x 8" (67cm x 128cm x 20cm)	50



COMMERCIAL STAINLESS STEEL EXHAUST HOODS

Model No.	Length		Price	Light Duty (250 CFM/Ft.*)			Medium Duty (300 CFM/Ft. **)			Heavy Duty (350 CFM/Ft.***)		
	(ft-in.)	(mm)		CFM	Duct Collar Size		CFM	Duct Collar Size		CFM	Duct Collar Size	
					(in.)	(mm)		(in.)	(mm)		(in.)	(mm)
SWH-3642	3-0	914	1,195.00	750	7 x 12	177 x 305	900	9 x 12	228 x 305	1050	10 x 12	254 x 305
SWH-4842	4-0	1220	1,295.00	1000	7 x 12	177 x 305	1200	9 x 12	228 x 305	1400	10 x 12	254 x 305
SWH-6042	5-0	1524	1,395.00	1250	9 x 12	228 x 305	1500	11 x 12	280 x 305	1750	13 x 12	330 x 305
SWH-7242	6-0	1828	1,595.00	1500	11 x 12	280 x 305	1800	13 x 12	330 x 305	2100	15 x 12	380 x 305
SWH-8442	7-0	2130	1,795.00	1750	12 x 12	305 x 305	2100	15 x 12	380 x 305	2450	17 x 12	430 x 305
SWH-9642	8-0	2440	1,995.00	2000	14 x 12	355 x 305	2400	17 x 12	430 x 305	2800	20 x 12	508 x 305
SWH-10842	9-0	2750	2,095.00	2250	16 x 12	405 x 305	2700	19 x 12	482 x 305	3150	24 x 12	584 x 305
SWH-12042	10-0	3050	2,195.00	2500	18 x 12	457 x 305	3000	22 x 12	558 x 305	3500	26 x 12	660 x 305
SWH-13242	11-0	3355	2,395.00	2750	20 x 12	508 x 305	3300	24 x 12	610 x 305	3850	28 x 12	711 x 305
SWH-14442	12-0	3660	2,595.00	3000	22 x 12	558 x 305	3600	27 x 12	680 x 305	4200	32 x 12	812 x 305

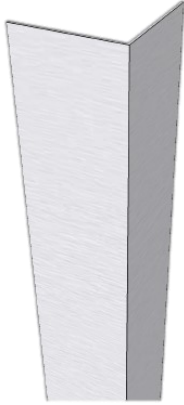
*Use suffix **B** for **box style** and **T** for **tapered style**
 **Ridalco exhaust hoods conform to NFPA 96 requirements
 ***Prices shown are net prices. No additional discount available.

EXHAUST VENTILATORS OPTIONS & ACCESSORIES



For 36" (91cm) depth	deduct 5%
For 48" (122cm) depth	add 15%
For 54" (137cm) depth	add 20%
Duct collars (if size & position are specified at time of order)	Standard
Duct collars (if ordered later)	\$130.00 each
Fusible-link damper in supply air duct (use suffix FD)	Standard
Fusible-link damper in exhaust duct collar (use suffix FDE)	\$360.00
ULC listed galvanized filters	Standard
Replacement ULC listed galvanized filters	\$95.00 each
ULC listed stainless steel filters	\$160.00 each
Replacement stainless steel filter bank filler pieces (max. 12" wide)	\$50.00 each
Incandescent vapour proof fixtures pre-wired to a single junction box	Standard (1 light per 5ft.)
Replacement clip-on grease collector pan	\$75.00
3" wall spacer to comply with NFPA 96, when required	Standard

STAINLESS STEEL CORNER GUARDS



Custom sizes and lengths available. Contact us for pricing.

	Size (Inches)	Gauge (Thickness)	Type SS	No Holes	Regular Holes	Countersunk Holes (min. 16ga req'd)
18ga Stainless Steel	1 x 1 x 36	18 (0.048")	304 #4	24.31	29.94	N/A
	1 x 1 x 48	18 (0.048")	304 #4	26.88	33.13	N/A
	1 x 1 x 60	18 (0.048")	304 #4	29.13	36.63	N/A
	1 x 1 x 72	18 (0.048")	304 #4	31.56	40.31	N/A
	2 x 2 x 36	18 (0.048")	304 #4	31.56	37.19	N/A
	2 x 2 x 48	18 (0.048")	304 #4	36.81	43.13	N/A
	2 x 2 x 60	18 (0.048")	304 #4	43.44	50.94	N/A
	2 x 2 x 72	18 (0.048")	304 #4	47.50	56.25	N/A
	3 x 3 x 36	18 (0.048")	304 #4	45.00	51.30	N/A
	3 x 3 x 48	18 (0.048")	304 #4	55.63	63.41	N/A
	3 x 3 x 60	18 (0.048")	304 #4	62.44	71.18	N/A
	3 x 3 x 72	18 (0.048")	304 #4	70.94	80.88	N/A

16ga Stainless Steel	1 x 1 x 36	16 (0.063")	304 #4	26.26	32.34	44.94
	1 x 1 x 48	16 (0.063")	304 #4	29.03	35.78	55.78
	1 x 1 x 60	16 (0.063")	304 #4	31.45	39.55	64.55
	1 x 1 x 72	16 (0.063")	304 #4	34.09	43.54	73.54
	2 x 2 x 36	16 (0.063")	304 #4	34.09	40.16	55.16
	2 x 2 x 48	16 (0.063")	304 #4	39.76	46.58	66.58
	2 x 2 x 60	16 (0.063")	304 #4	46.91	55.01	80.01
	2 x 2 x 72	16 (0.063")	304 #4	51.30	60.75	90.75
	3 x 3 x 36	16 (0.063")	304 #4	48.60	55.40	70.40
	3 x 3 x 48	16 (0.063")	304 #4	58.33	66.49	86.49
	3 x 3 x 60	16 (0.063")	304 #4	67.44	76.88	101.88
	3 x 3 x 72	16 (0.063")	304 #4	76.61	87.34	117.34

20ga Stainless Steel	1 x 1 x 36	20 (0.035")	304 #4	22.61	27.84	N/A
	1 x 1 x 48	20 (0.035")	304 #4	25.00	30.81	N/A
	1 x 1 x 60	20 (0.035")	304 #4	27.09	34.06	N/A
	1 x 1 x 72	20 (0.035")	304 #4	29.35	37.49	N/A
	2 x 2 x 36	20 (0.035")	304 #4	29.35	34.59	N/A
	2 x 2 x 48	20 (0.035")	304 #4	34.24	40.11	N/A
	2 x 2 x 60	20 (0.035")	304 #4	40.40	47.38	N/A
	2 x 2 x 72	20 (0.035")	304 #4	44.18	52.31	N/A
	3 x 3 x 36	20 (0.035")	304 #4	41.85	47.71	N/A
	3 x 3 x 48	20 (0.035")	304 #4	51.74	58.98	N/A
	3 x 3 x 60	20 (0.035")	304 #4	58.06	66.19	N/A
	3 x 3 x 72	20 (0.035")	304 #4	65.98	75.21	N/A

TERMS & CONDITIONS

TERMS & CONDITIONS

- Payment terms are net 30 days from the invoice date on approved credit. Please contact accounting@ridalco.com to obtain a credit application.
- For customers without a credit account, orders for standards products are to be paid in full prior to shipping or at time of customer pick up.
- For customers without a credit account, orders for custom fabricated products must be accompanied with a 50% deposit with the balance due prior to shipping or at time of customer pick up.
- All prices shown are suggested retail prices and do not include arranged discounts. All Taxes, when applicable, are extra.
- In keeping with Ridalco's continuing product improvement, products and specifications may change without notice.
- Pricing is subject to change without notice.
- Ridalco Industries Inc. must be advised of all damage to the shipping carton/crate at time of delivery. Any damage to the interior of the package, whether a shortage of product, or damage to the product, must be reported to Ridalco Industries Inc. within 72 hours.

WARRANTY

Ridalco Industries Inc. offers a 1 year warranty to the original purchaser of a Ridalco stainless steel product, commencing at time of delivery. Ridalco will, at its option, replace, without charge, such product if it fails due to a manufacturing defect that occurs during normal use. Ridalco Industries Inc. reserves the right to examine the product in question and investigate the manner in which it has been used. Ridalco Industries Inc. shall not be liable under this warranty where the product has been improperly installed, neglected, or has been damaged as a result of abuse caused by heavy impact arising from a dropped object. Ridalco Industries Inc. shall not be liable for any inconvenience or expense for material or labour related to removal of the defective sink, or for any loss or damage to any person or property whatsoever resulting from the defective product. Scratches are not covered under warranty. This warranty shall be null and void if the product is modified in any way by anyone who has not been authorized to do so by Ridalco Industries Inc.

RETURNED GOODS

- All standard products being returned to Ridalco Industries Inc. must be authorized by Ridalco and are subject to a 25% restocking fee. Ridalco reserves the right to refuse any return for reason of product condition.
- All custom fabricated products are considered "final sale" and returns are not accepted unless being done so under Warranty. See "Warranty".
- Used products are non-returnable unless being done so under Warranty. See "Warranty".
- All items must be returned in their original packaging and in saleable condition.
- All returns are to be made by freight prepaid by the sender and the sender assumes all liability for shipping damages that may occur. Upon receipt of the product to Ridalco Industries Inc., if the product is damaged due to shipping, no credit will be issued. Ridalco Industries Inc. reserves the right to limit or refuse any returns.

FREIGHT POLICY

- Unless otherwise stated, goods will be shipped prepaid by the best method as chosen by Ridalco and charges will be billed to the customer. Ridalco can provide a freight quote on request which shall only be valid for a maximum of 15 days.
- The customer may, at their discretion, request a carrier of choice and freight charges shall be prepaid third party or collect. The customer shall assume all liability for shipping damages or loss that may occur.

CUSTOM FABRICATION

- Ridalco specializes in custom fabricated items and will provide a quotation based on the information provided by the customer. A detailed sketch is recommended.
- Approval drawings will be prepared by Ridalco and provided only upon confirmation of a purchase order or if approval is required to secure a purchase order. Fabrication of custom items will not commence until signed, approved drawings have been returned to Ridalco.
- Once fabrication has begun, cancellation of custom orders will be subject to full billing.
- Custom fabricated products may not be returned and are non-refundable unless being done so under Warranty. See "Warranty".



Ridalco Industries Inc.

1084 Kenaston St. Unit 4
Ottawa, Ontario K1B 3P5
Canada

t: (613) 745-9161

f: (613) 745-6452

Toll Free

t: (800) 445-1097

f: (800) 268-6526

info@ridalco.com

www.ridalco.com/foodservice